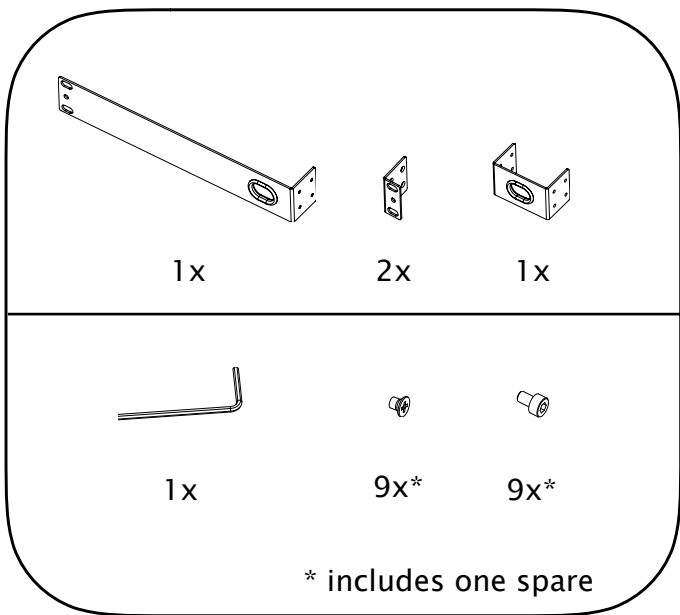
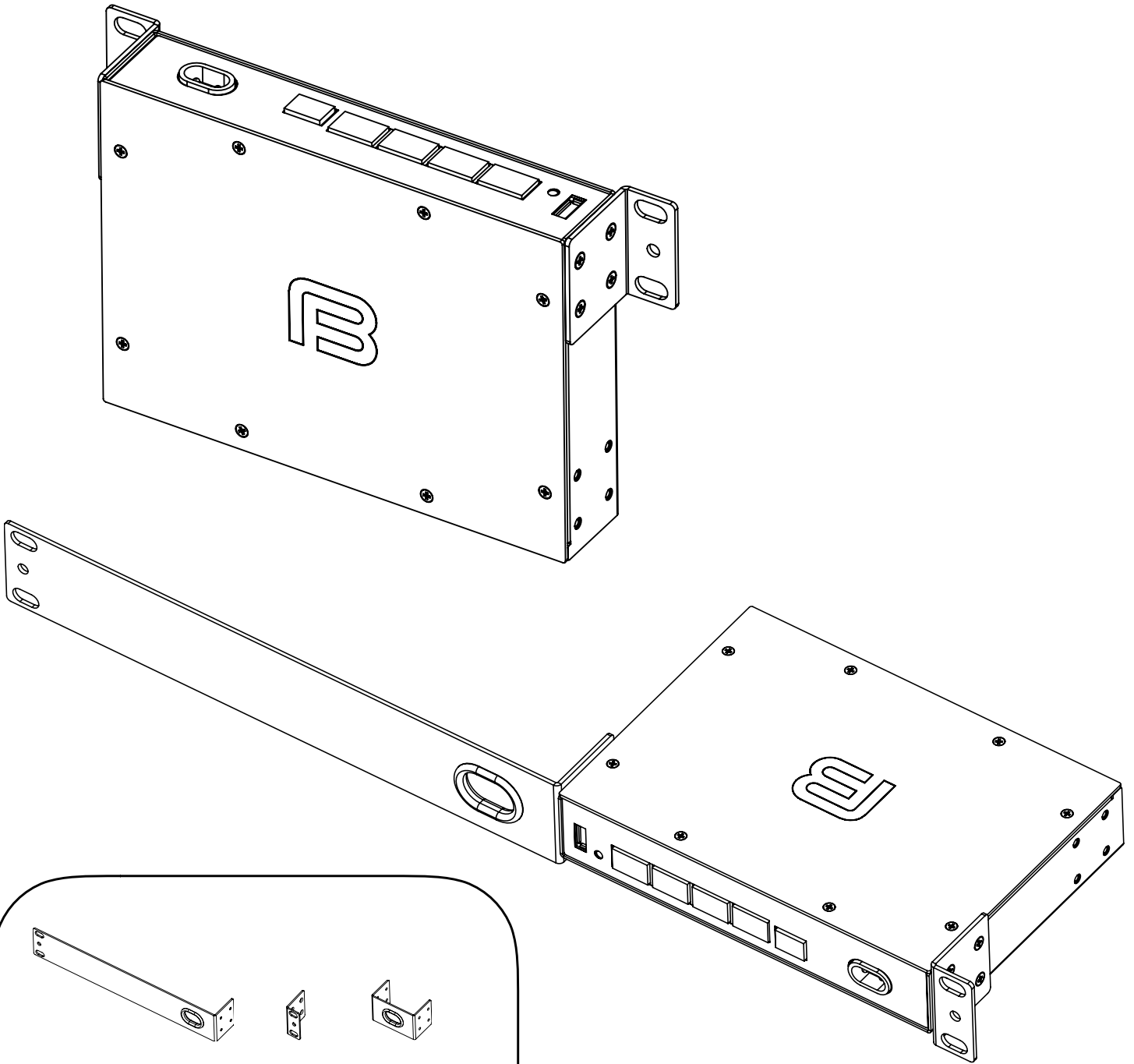


VÄGGFÄSTE



You will also need:-
Screwdriver
4x Rack fixings for rack mount, or
2x Wall screws for wall mount

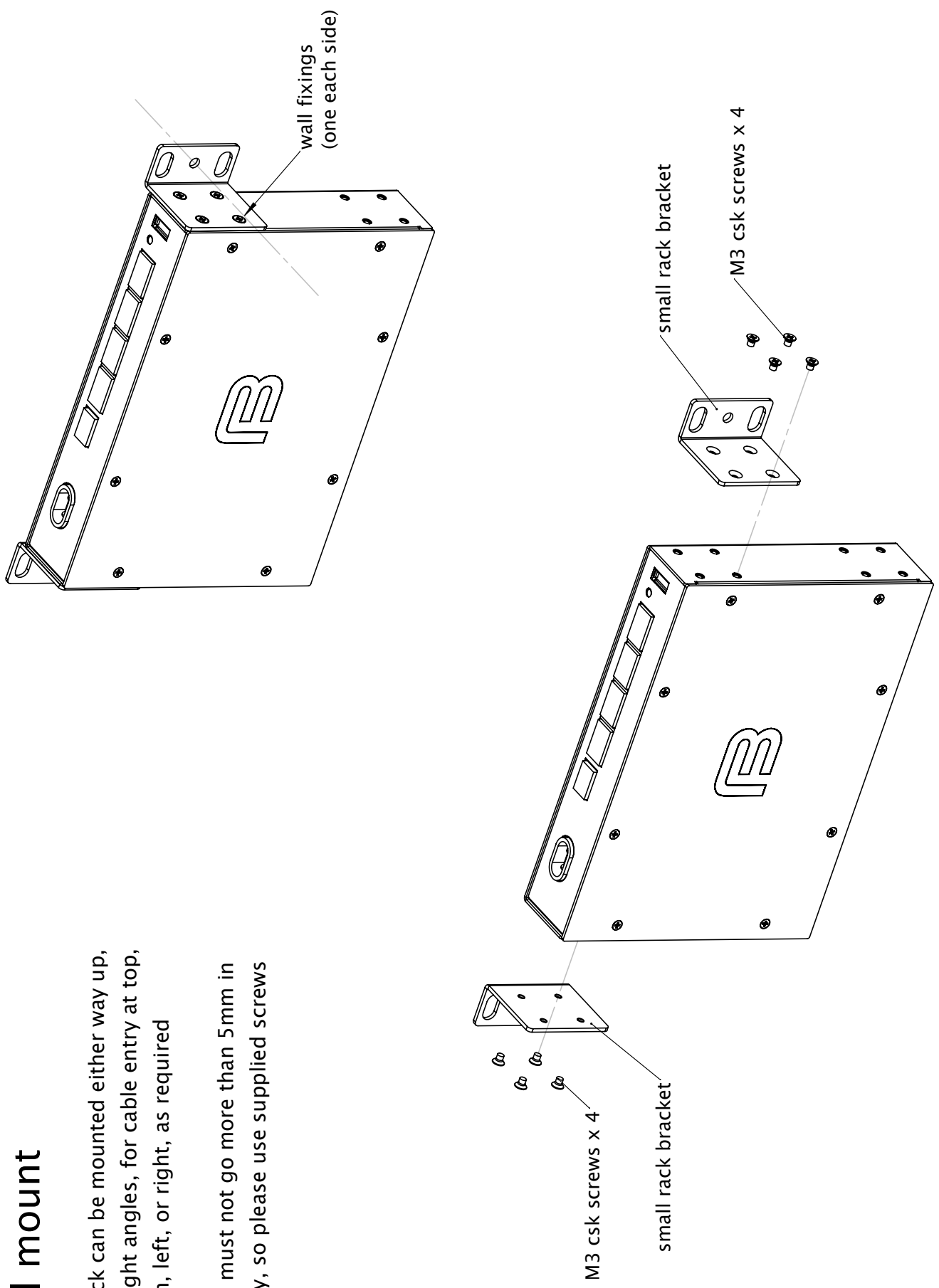
FireBrick FB2900
Rack/wall bracket kit



Wall mount

FireBrick can be mounted either way up, or at right angles, for cable entry at top, bottom, left, or right, as required

Screws must not go more than 5mm in to body, so please use supplied screws

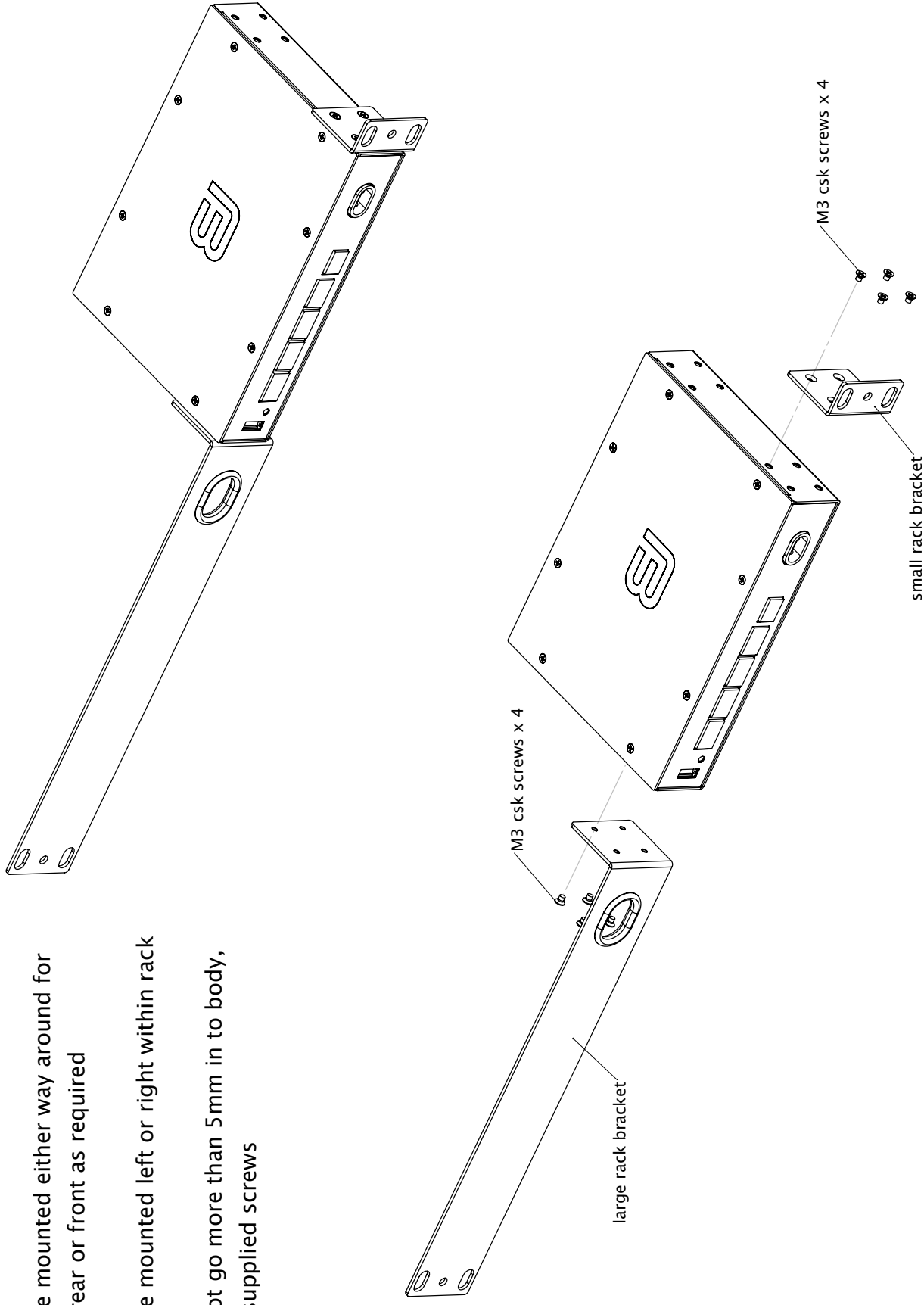


Rack mount (1 FireBrick)

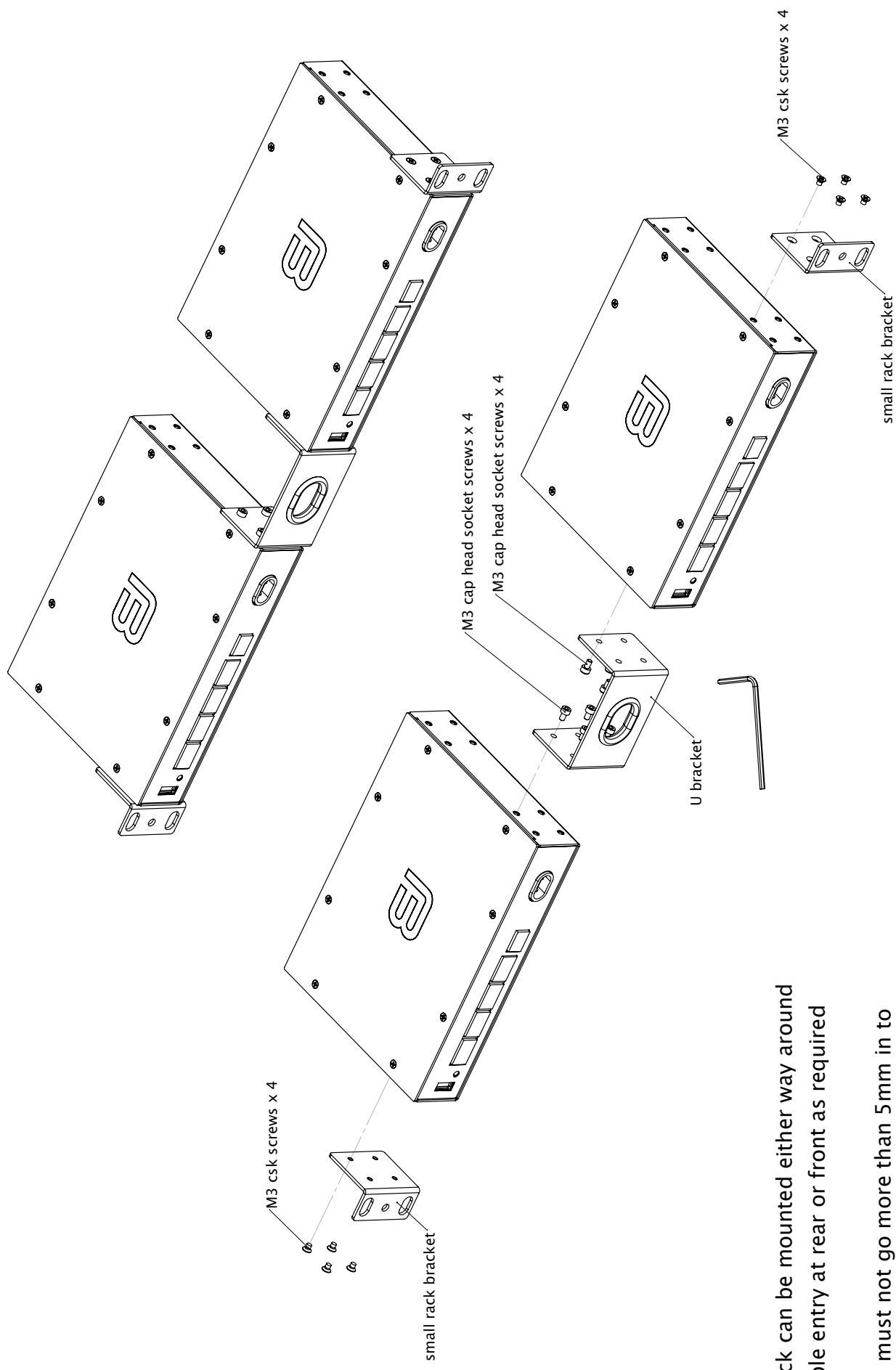
FireBrick can be mounted either way around for cable entry at rear or front as required

FireBrick can be mounted left or right within rack

Screws must not go more than 5mm in to body, so please use supplied screws



Rack mount (2 FireBricks)



FireBrick can be mounted either way around for cable entry at rear or front as required

Screws must not go more than 5mm in to body, so please use supplied screws